

# CHAPTER 4. PARTS CATALOG

## CONTENTS

PowerShot A300	
Casing Parts .....	Pg1
Internal Parts-1 .....	Pg2
Internal Parts-2 .....	Pg3
Accessories-1 .....	Pg4
Accessories-2 .....	Pg5
Service Tools-1 .....	Pg6
Service Tools-2 .....	Pg7

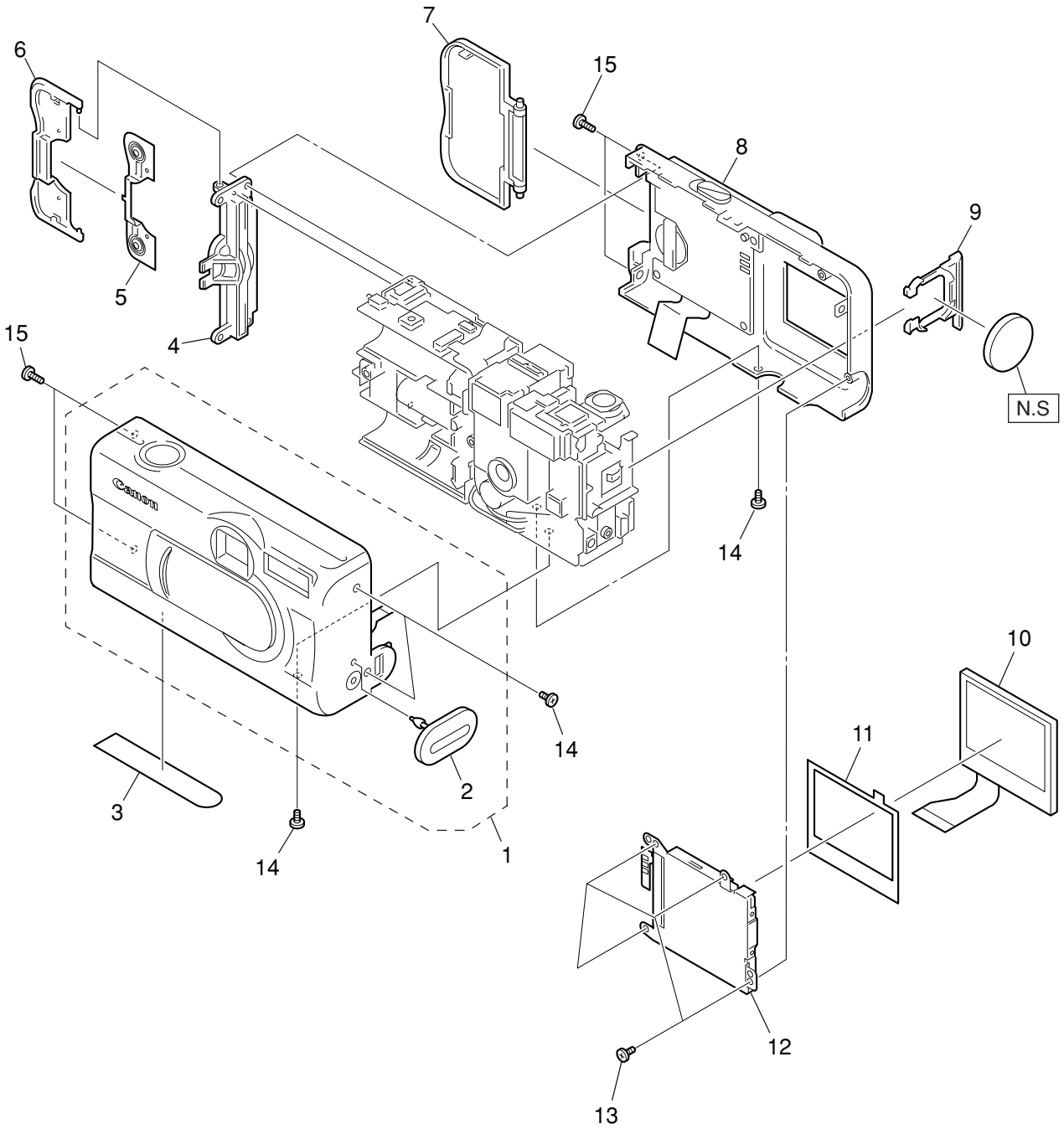
### CLASS凡例

- A: 使用頻度 高
- B: 使用頻度 中
- C: 使用頻度 低
- D: 安全規格部品
- E: 消耗部品
- F: 標準ネジ、ワッシャー
- S: 供給制限品
- Y: サービス工具

### Category of CLASS

- A: Frequency of use: High
- B: Frequency of use: Middle
- C: Frequency of use: Low
- D: Safety-related critical parts
- E: Consumable parts
- F: Standard screws and washers
- S: Supply of the parts is limited
- Y: Service Tools

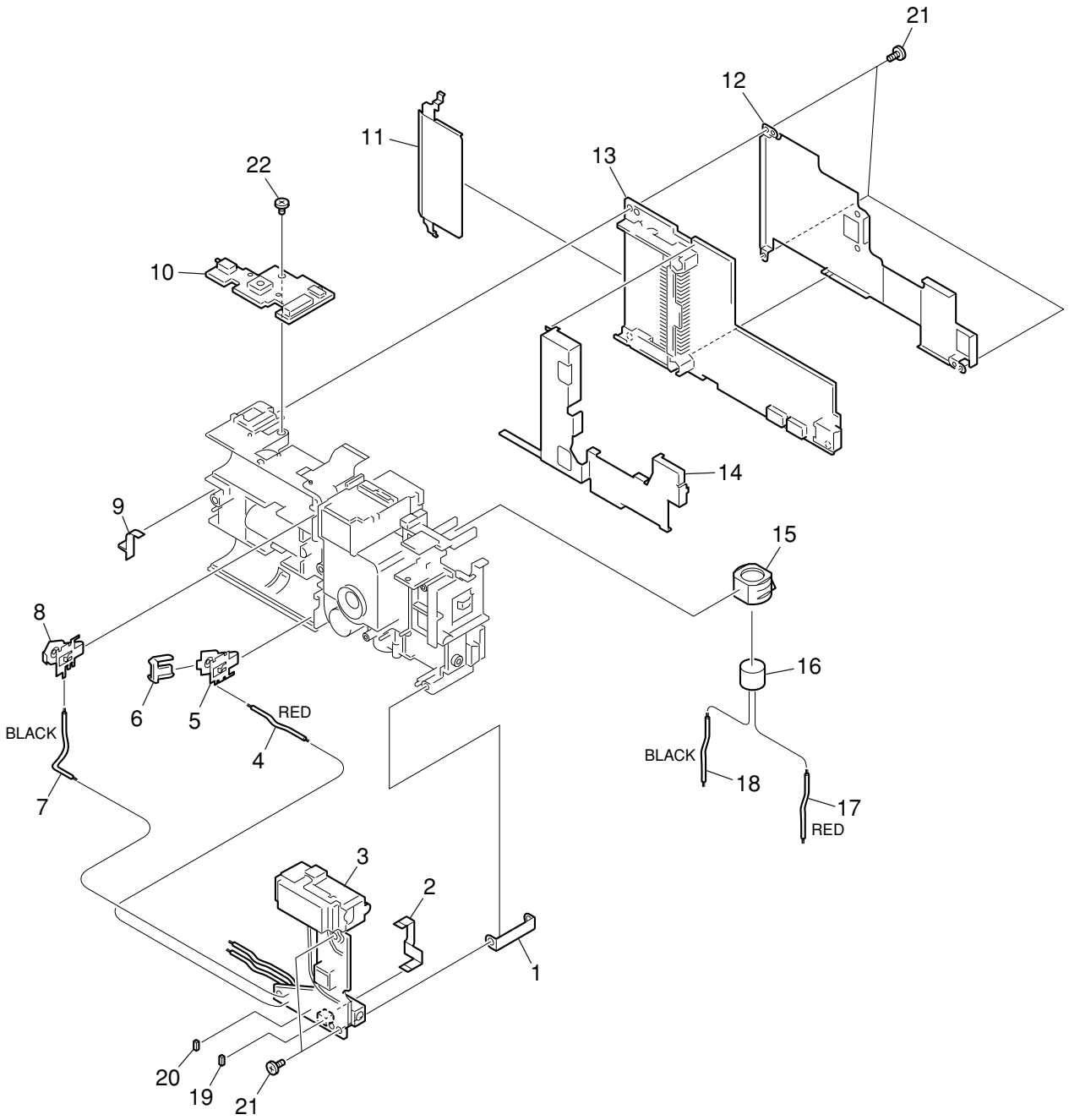
# Casing Parts



## PARTS LIST

SYMBOL	PARTS NO.	CLASS	QTY	DESCRIPTION	REMARKS
1	CY1-6281-000	B	1	FRONT COVER UNIT	
2	CD3-0406-000	B	1	COVER, CONNECTOR	
3	CY1-6285-000	B	1	PLATE, BODY NUMBER (J)	#13161xxxxx
	CY1-6286-000	B	1	PLATE, BODY NUMBER (N)	#13261xxxxx
	CY1-6287-000	B	1	PLATE, BODY NUMBER (E)	#13361xxxxx
	CY1-6288-000	B	1	PLATE, BODY NUMBER (CH)	#13661xxxxx
4	CD3-0417-000	B	1	COVER, CF	
5	CD3-0413-000	C	1	PLATE, BATTERY CONTACT	
6	CD3-0412-000	B	1	COVER, BATTERY	
7	CD3-0410-000	B	1	COVER, SIDE	
8	CY1-6282-000	B	1	REAR COVER UNIT	
9	CD3-0445-000	B	1	HOLDER, LITHIUM BATTERY	
10	CK9-1006-000	C	1	PANEL, LCD	
	CK9-1006-001	C	1	PANEL, LCD (SELECTION)	
11	CD3-0776-000	C	1	SHEET, LIGHT SHIELDING	
12	CM1-2006-000	C	1	BACK LIGHT UNIT	
13	XA4-9170-407	F	4	SCREW	
14	CD3-0443-000	C	4	SCREW	
15	XA4-9170-607	F	4	SCREW	

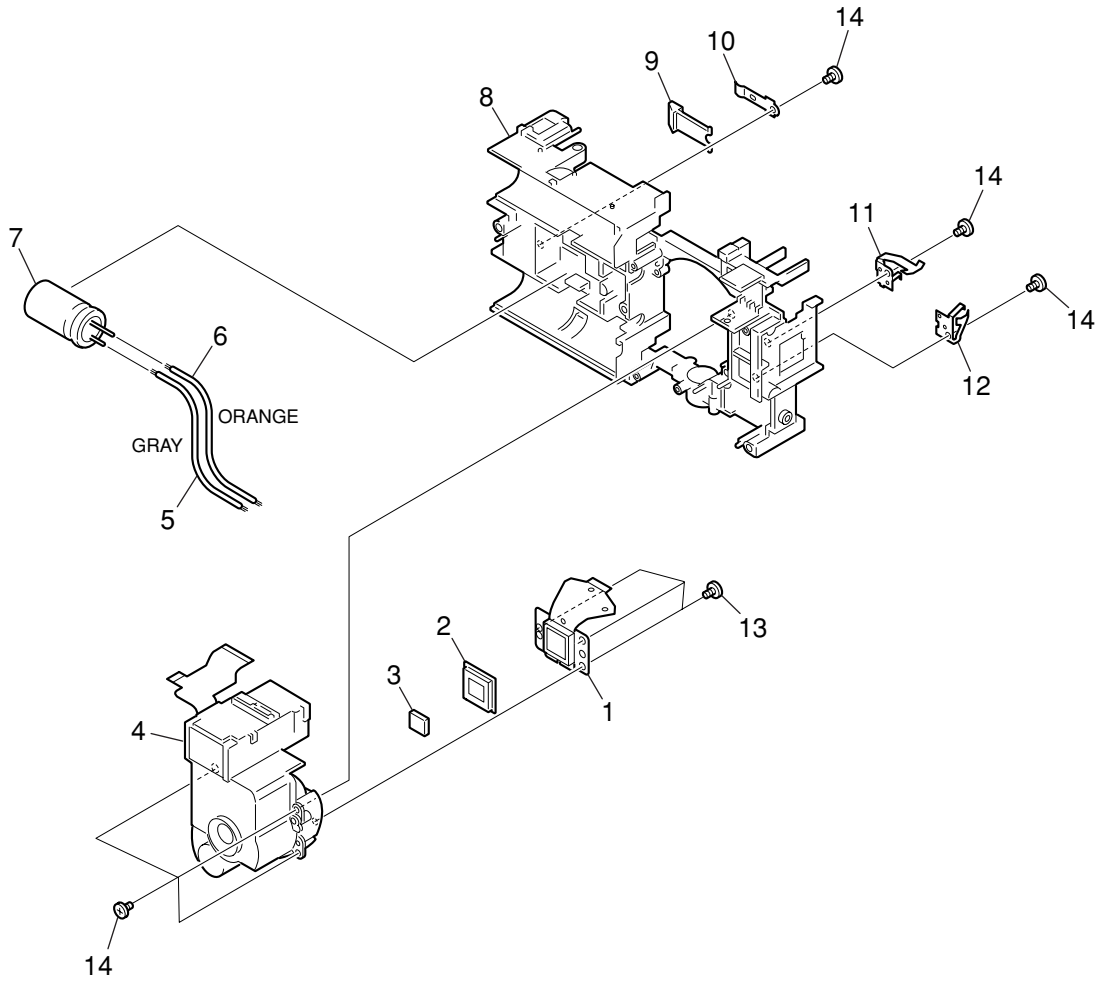
# Internal Parts-1



## PARTS LIST

SYMBOL	PARTS NO.	CLASS	QTY	DESCRIPTION	REMARKS
1	CD3-0449-000	C	1	PLATE, GND	
2	CK2-2002-000	C	1	FPC, M-S	
3	CM1-2002-000	C	1	FLASH UNIT	
4	CK2-2010-000	C	1	LEAD, BATTERY (+)	
5	CD3-0451-000	C	1	CONTACT, BATTERY (+)	
6	CD3-0770-000	C	1	GUARD, BATTERY CONTACT (+)	
7	CK2-2011-000	C	1	LEAD, BATTERY (-)	
8	CD3-0452-000	C	1	CONTACT, BATTERY (-)	
9	CD3-0414-000	C	1	SPRING, BATTERY COVER	
10	CM1-2004-000	C	1	PCB ASS'Y, RLS	
11	CD3-0420-000	C	1	CASE, MAIN SHIELD 3	
12	CD3-0419-000	C	1	CASE, MAIN SHIELD 2	
13	CM1-2001-000	C	1	PCB ASS'Y, MAIN	
14	CD3-0418-000	C	1	CASE, MAIN SHIELD 1	
15	CD3-0441-000	C	1	BUSH, MICROPHONE	
16	WR1-5089-000	C	1	MICROPHONE	
17	CK2-2016-000	C	1	LEAD, MICROPHONE (+)	
18	CK2-2017-000	C	1	LEAD, MICROPHONE (-)	
19	CK9-0415-000	C	1	FUSE, SKK UMF2012 I14	
20	CK9-0416-000	C	1	FUSE, SKK UMF2012 I18	
21	XA4-9170-407	F	5	SCREW	
22	XA4-9140-257	F	1	SCREW	

# Internal Parts-2

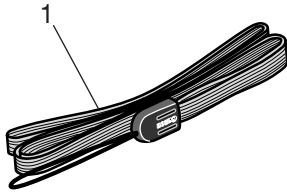


## PARTS LIST

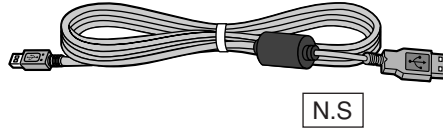
SYMBOL	PARTS NO.	CLASS	QTY	DESCRIPTION	REMARKS
1	CY1-6284-000	C	1	CCD UNIT	
2	CD1-4906-000	C	1	RUBBER, CCD	
3	YN1-2123-000	C	1	FILTER, IR	
4	CY1-6283-000	B	1	OPTICAL UNIT	
5	CK2-2009-000	C	1	LEAD, CAPACITOR (-)	
6	CK2-2008-000	C	1	LEAD, CAPACITOR (+)	
7	CK9-1009-000	C	1	CAPACITOR, ELECT., 80MF/330V	
8	CD3-0402-000	C	1	FRAME, MAIN	
9	CD3-0415-000	B	1	LOCKER, BATTERY	
10	CD3-0416-000	C	1	PLATE, BATTERY LOCK	
11	CD3-0453-000	C	1	CONTACT, LITHIUM (+)	
12	CD3-0454-000	C	1	CONTACT, LITHIUM (-)	
13	XA4-9140-307	F	3	SCREW	
14	XA4-9170-407	F	6	SCREW	

# Accessories-1

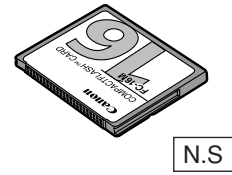
**Wrist Strap WS-200**



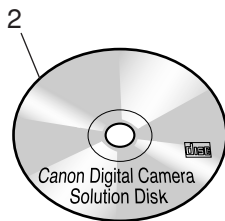
**USB Interface Cable  
IFC-300PCU**



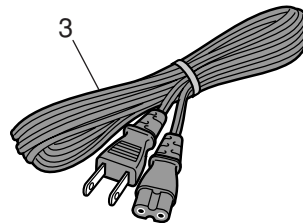
**CF Card FC-16M**



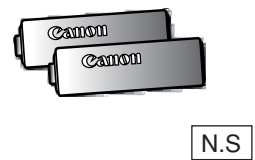
**Canon Digital Camera  
Solution Disk**



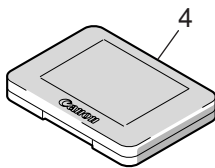
**AC Cable**



**Alkaline Batteries (X2)**



**CF CASE**



**N.S** : N.S Stand for No Stock (Product available)

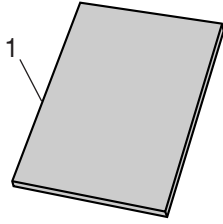


## PARTS LIST

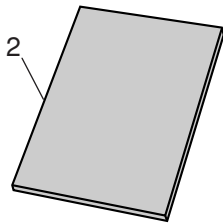
SYMBOL	PARTS NO.	CLASS	QTY	DESCRIPTION	REMARKS
1	C84-1060-000	B	1	WRIST STRAP WS-200	
2	C84-1174-000	S	1	CD-ROM, SOLUTION DISK VER.12.0 (J/E)	FOR JAPAN, ASIA, AUSTRALIA
	C84-1176-000	S	1	CD-ROM, SOLUTION DISK VER.12.0 (E/F/S)	FOR USA, CANADA
	C84-1178-000	S	1	CD-ROM, SOLUTION DISK VER.12.0 (J/E/SC)	FOR JAPAN, ASIA, AUSTRALIA
3	WT3-5062-000	C	1	AC CABLE (J)	FOR JAPAN
	WT3-5063-000	C	1	AC CABLE (N)	FOR USA, CANADA
	WT3-5064-000	C	1	AC CABLE (E)	FOR EUROPE, ASIA
	WT3-5115-000	C	1	AC CABLE (B)	FOR USA
	WT3-5066-000	C	1	AC CABLE (A)	FOR AUSTRALIA
4	FC2-9610-000	B	1	CASE, CF	

## Accessories-2

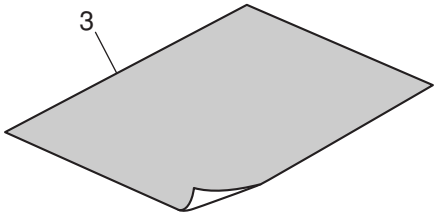
### Camera User Guide



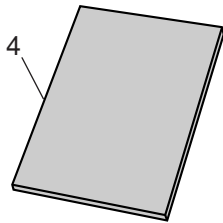
### Software Starter Guide



### System Map



### Quick Start Guide



## PARTS LIST

SYMBOL	PARTS NO.	CLASS	QTY	DESCRIPTION	REMARKS
1	CDI-E078-000	S	1	I.BOOK (ENGLISH)	FOR USA, CANADA, ASIA, AUSTRALIA
	CDI-S068-000	S	1	I.BOOK (SPANISH)	FOR USA
	CDI-J069-000	S	1	I.BOOK (JAPANESE)	FOR JAPAN
	CDI-F067-000	S	1	I.BOOK (FRENCH)	FOR CANADA
2	CDI-E088-000	S	1	SOFTWARE GUIDE (ENGLISH) (FOR VER.12.0)	FOR USA, CANADA, ASIA, AUSTRALIA
	CDI-S077-000	S	1	SOFTWARE GUIDE (SPANISH) (FOR VER.12.0)	FOR USA
	CDI-J079-000	S	1	SOFTWARE GUIDE (JAPANESE) (FOR VER.12.0)	FOR JAPAN
	CDI-F077-000	S	1	SOFTWARE GUIDE (FRENCH) (FOR VER.12.0)	FOR CANADA
3	CDI-E079-000	S	1	SYSTEM MAP (ENGLISH)	FOR USA, CANADA, ASIA, AUSTRALIA
	CDI-S069-000	S	1	SYSTEM MAP (SPANISH)	FOR USA
	CDI-J070-000	S	1	SYSTEM MAP (JAPANESE)	FOR JAPAN
	CDI-F068-000	S	1	SYSTEM MAP (FRENCH)	FOR CANADA
4	CDI-E080-000	S	1	QUICK START GUIDE (ENGLISH)	FOR USA, CANADA, ASIA, AUSTRALIA
	CDI-S070-000	S	1	QUICK START GUIDE (SPANISH)	FOR USA
	CDI-J071-000	S	1	QUICK START GUIDE (JAPANESE)	FOR JAPAN
	CDI-F069-000	S	1	QUICK START GUIDE (FRENCH)	FOR CANADA