



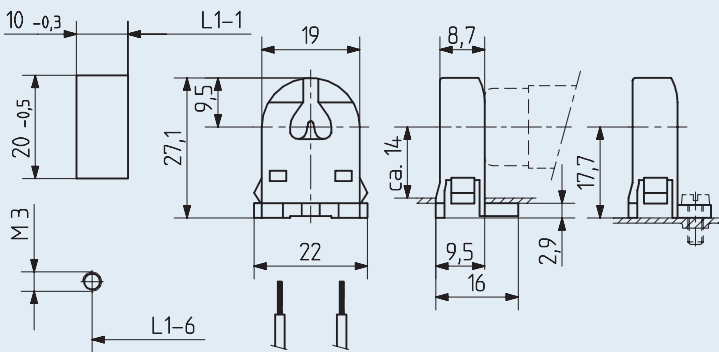
- Holder body: PC
- Rating: 500 V (for operation with electronic ballast)

Fluorescent lampholders

G 5 push through-/surface mounted- and end fixing lampholders without rotor

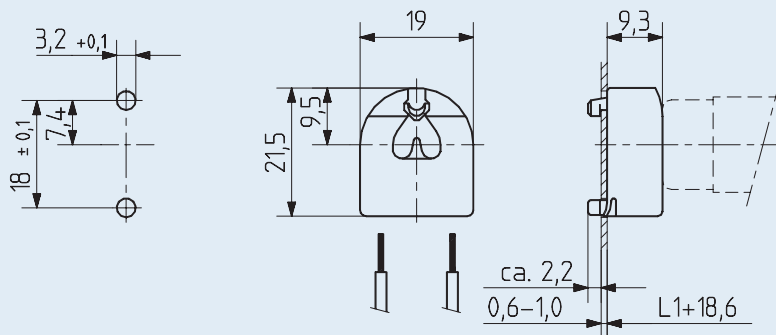
26.603

26.604



L1-1 / L1-6: Recommended dimension - The distance between the cut-outs and the tolerance should be governed by the dimensions of the respective lamps and luminaires, for dimensions of lamps see page 100-5.

	pkg.	wt.	part no.
Snap in / screw fixing foot			
Lamp centre: 14 / 17.7 mm			
Material thickness: 0.6 - 1.2 mm	500	3g	26.603.4302.50



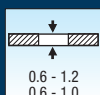
L1+18.6: Recommended dimension - The distance between the cut-outs and the tolerance should be governed by the dimensions of the respective lamps and luminaires, for dimensions of lamps see page 100-5.

	pkg.	wt.	part no.
Snap in pins vertical			
Material thickness: 0.6 - 1.0 mm	1000	3g	26.604.4301.50

T 110



0.5 - 1.0 mm²



0.6 - 1.2
0.6 - 1.0



100 ...