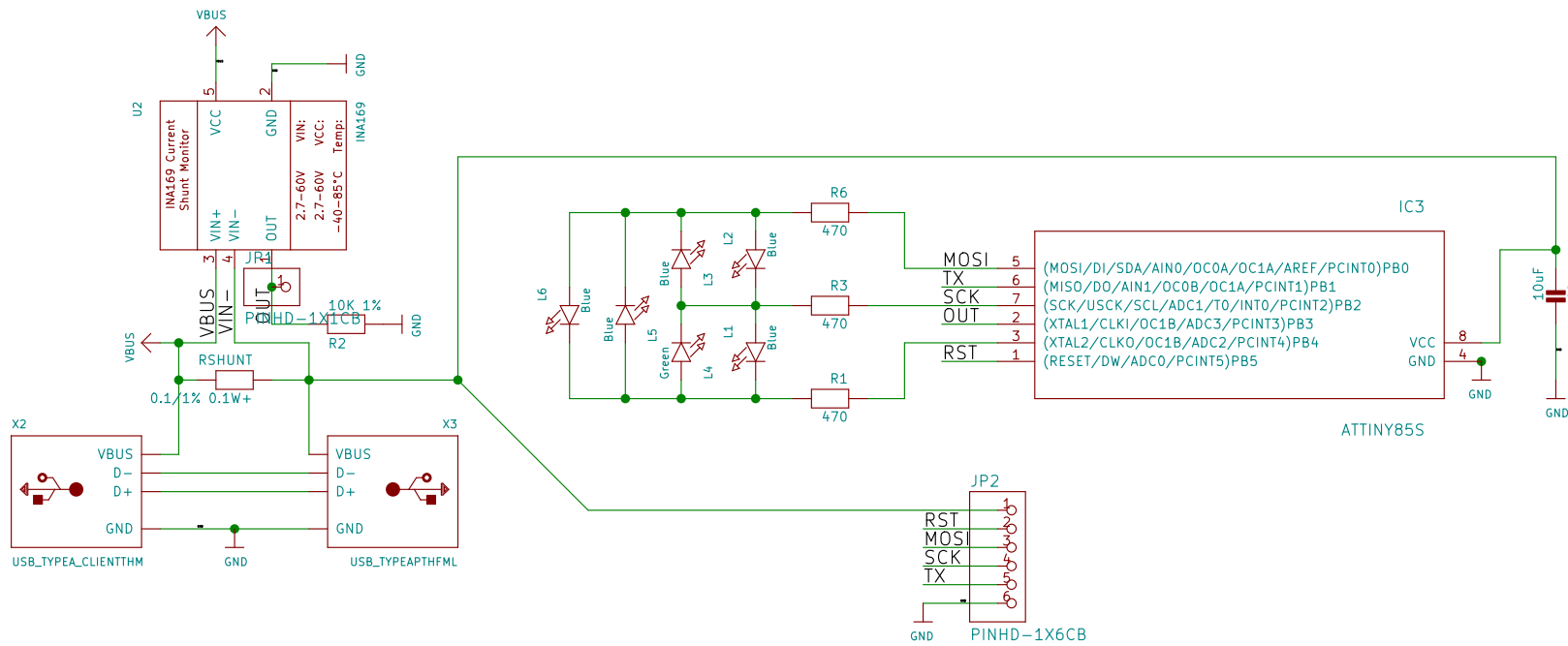


$$V_{out} = I_{load} * R_{load} * R_{shunt} / 1000$$

$$V_{out} = 1\text{Volt per } 1 \text{ Amp}$$



Adafruit USB Power Gauge		CC 2.5 BY-SA	
http://www.adafruit.com/products/1549			
TITLE: >DRAWING NAME		⊗⊗	
Document Number:		REV:	
Date: >LAST_DATE_TIME		Sheet: >SHEET	
File: Adafruit USB Power Gauge.sch			
Title:			
Size: User	Date:	Rev:	
KiCad E.D.A. kicad (2017-11-01 revision aedbb8a98)-remap-symbols-lib-table			