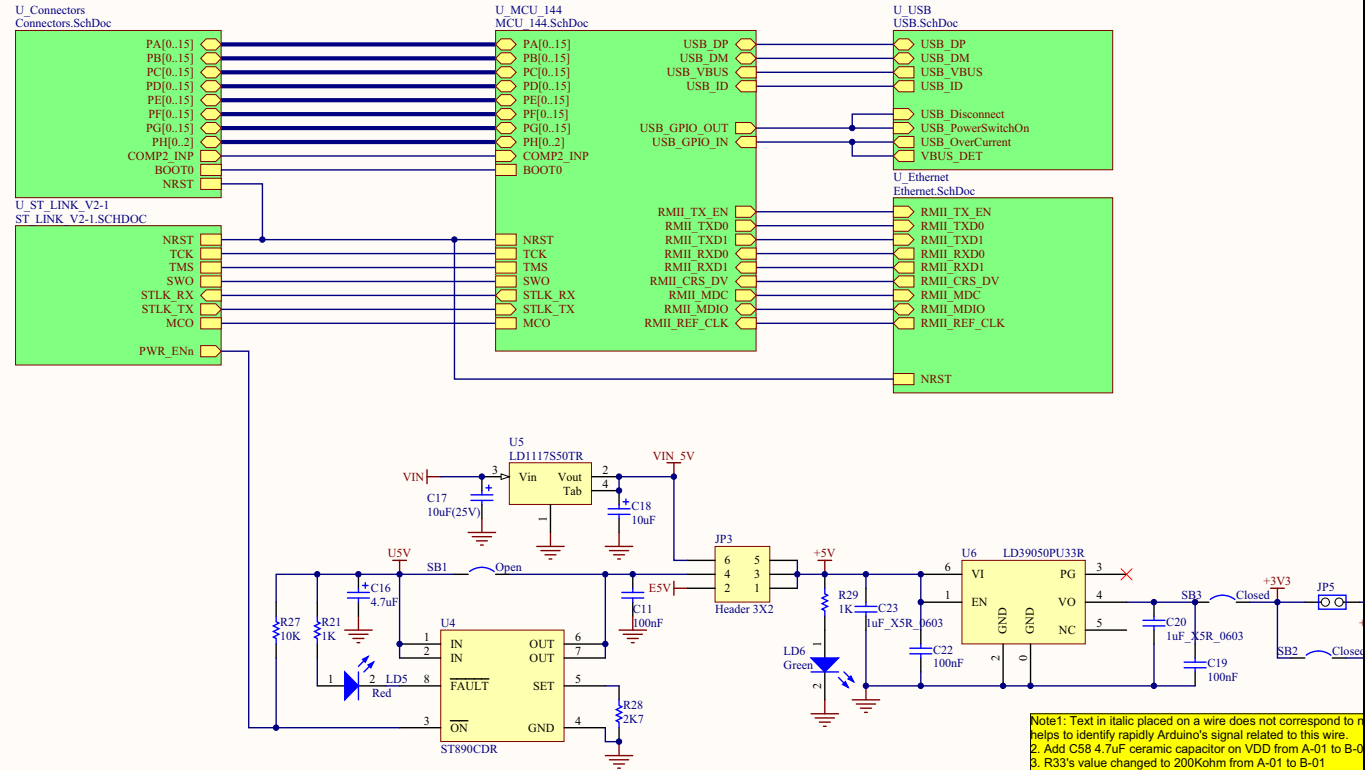


Appendix A Electrical schematics

This section provides the design schematics for the STM32 Nucleo-144 board features.

- MB1137 Nucleo-144 board:
 - Top and Power (see [Figure 3](#))
 - MCU (see [Figure 4](#))
 - ST-LINK/V2-1 (see [Figure 5](#))
 - USB (see [Figure 18](#))
 - Ethernet PHY with RJ45 connector (see [Figure 19](#))
 - Extension connectors (see [Figure 20](#))

Figure 3. Top and power (original PDF)



Note1: Text in italic placed on a wire does not correspond to a pin name. It helps to identify rapidly Arduino's signal related to this wire.
 2. Add C58 4.7uF ceramic capacitor on VDD from A-01 to B-01
 3. R33's value changed to 200Kohm from A-01 to B-01
 4. Add pull-up & pull-down resistors on PB2 for BOOT1 (F4 see B-01
 5. All peripherals' power changed to +3V3_PER from A-01 to B-01
 6. C35 & C36's value changed to 2.7pF from A-01 to B-01
 7. Add R76 1.5K pull-up circuit to USB_DP for F303ZE only from A-01 to B-01
 8. LD1 can be controlled by PB0 from A-01 to B-01
 9. D11 on CN7 can be set to PB5 from A-01 to B-01

Title: TOP & POWER		
Project: NUCLEO-XXXXX		
Size: A4	Reference: MB1137	Revision: B-01
Date: 8/19/2016	Sheet: 1 of 6	

Figure 4. Top and Power (CAIRO Inkscape)

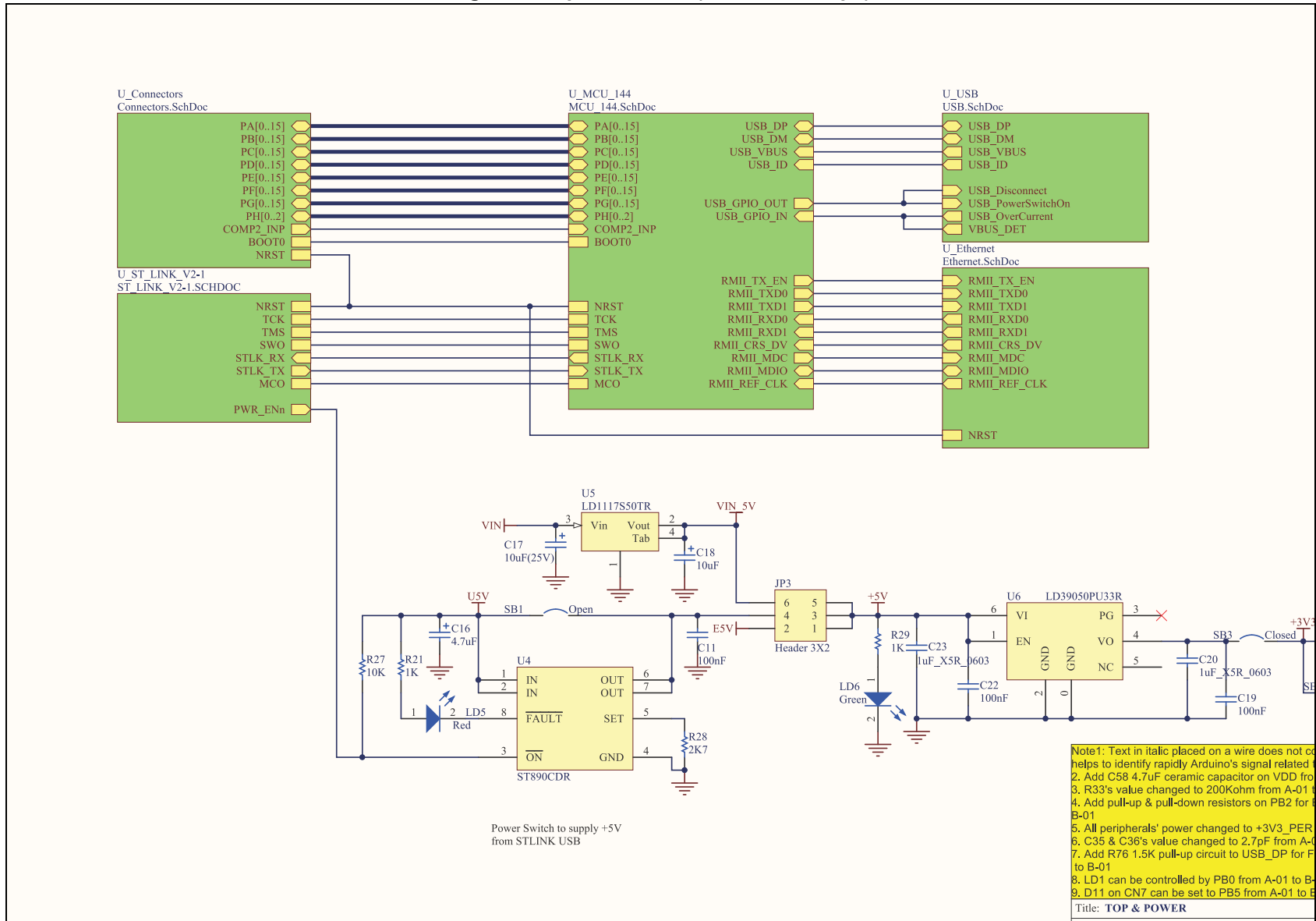


Figure 5. Adobe Illustrator (SVG)

