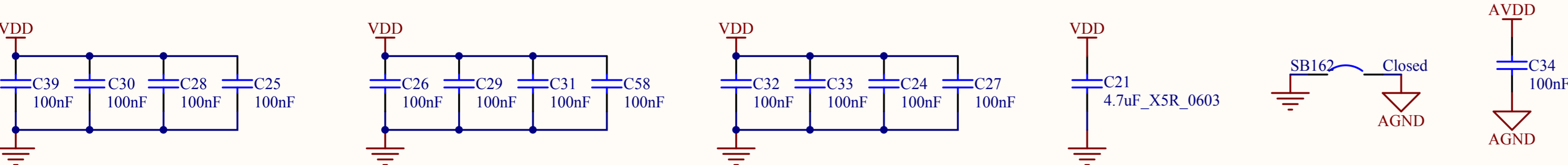
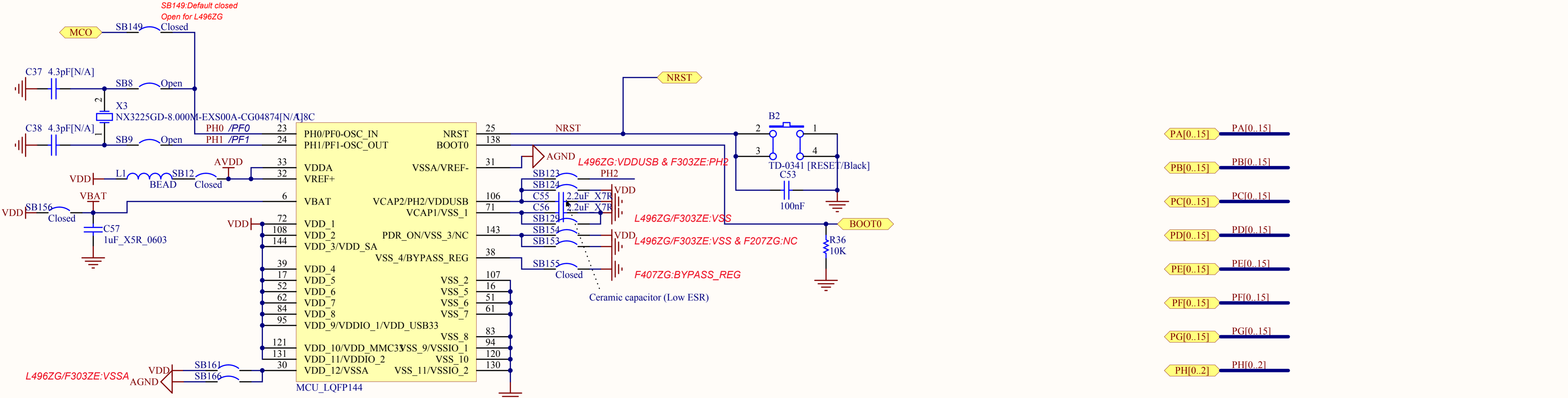
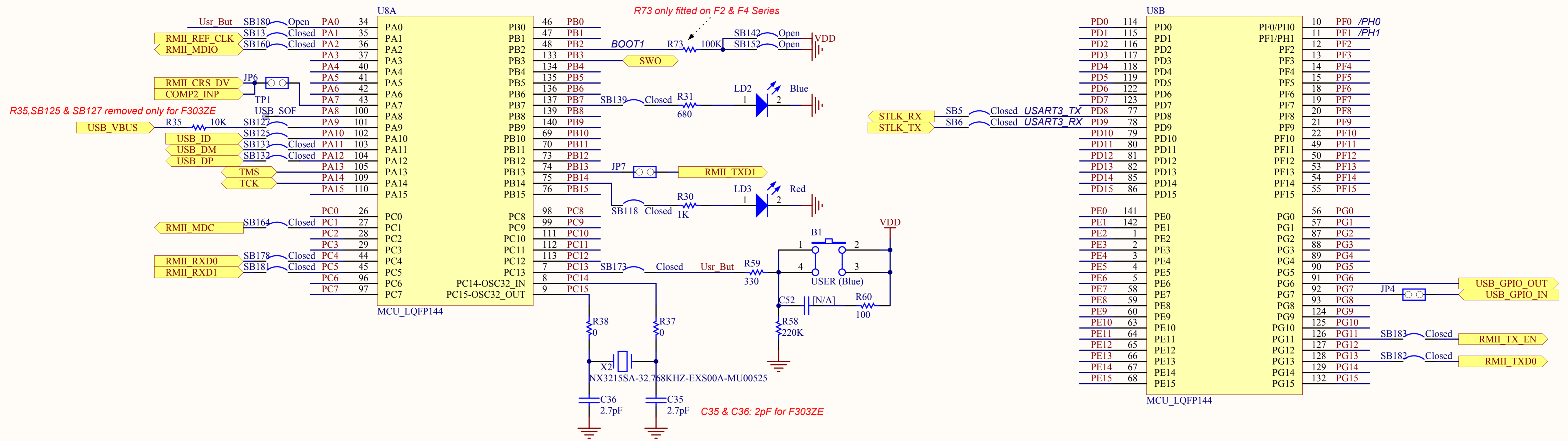
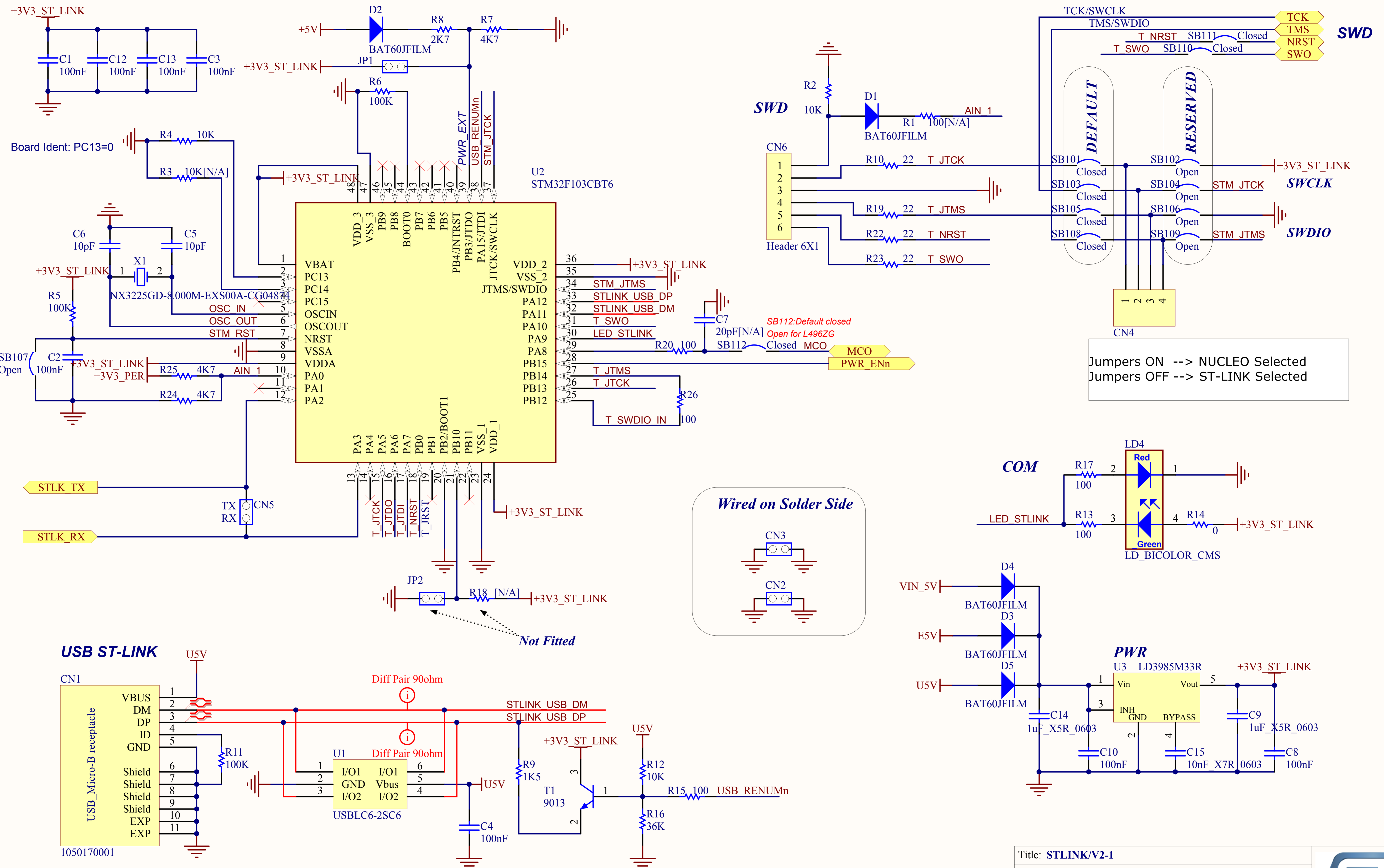


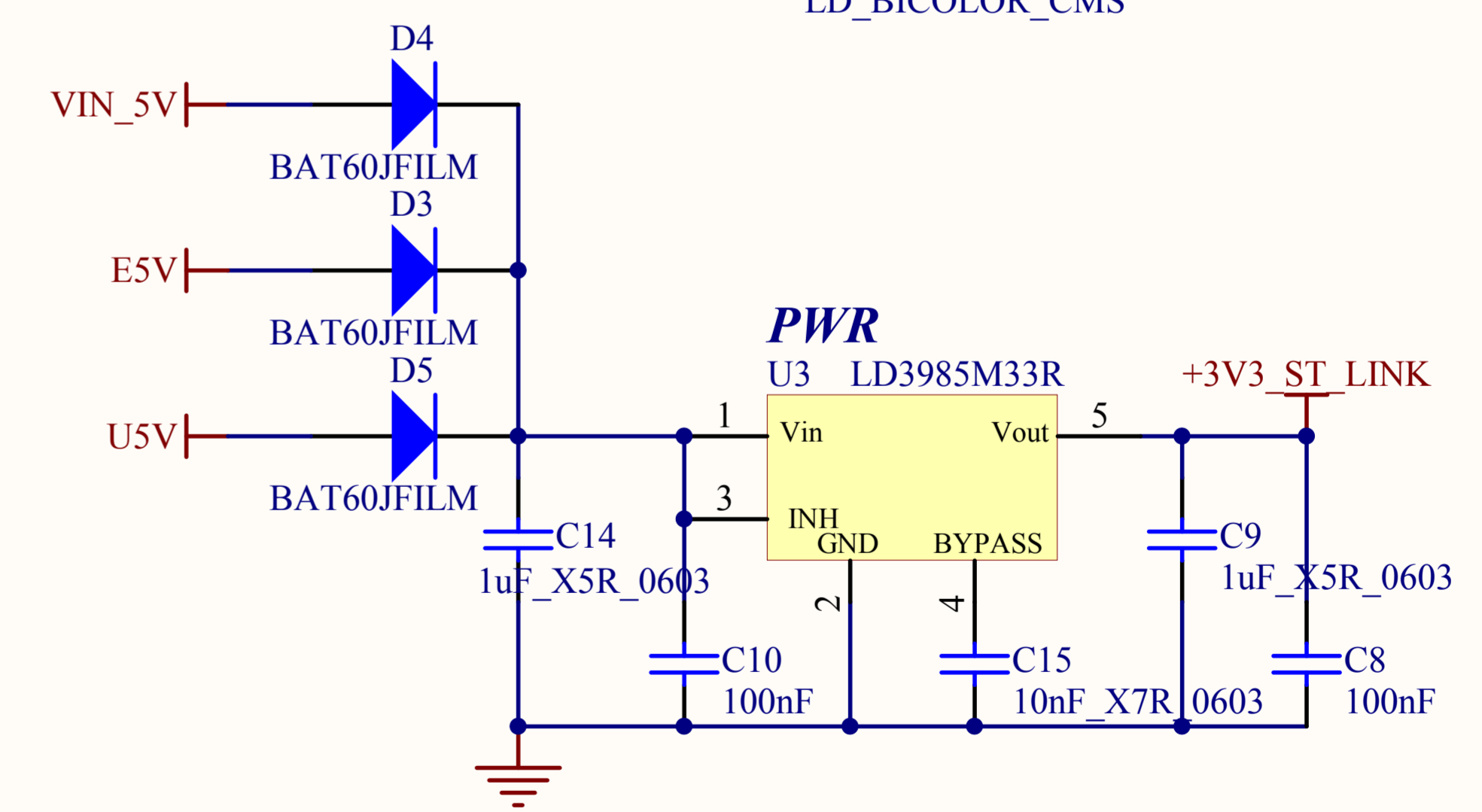
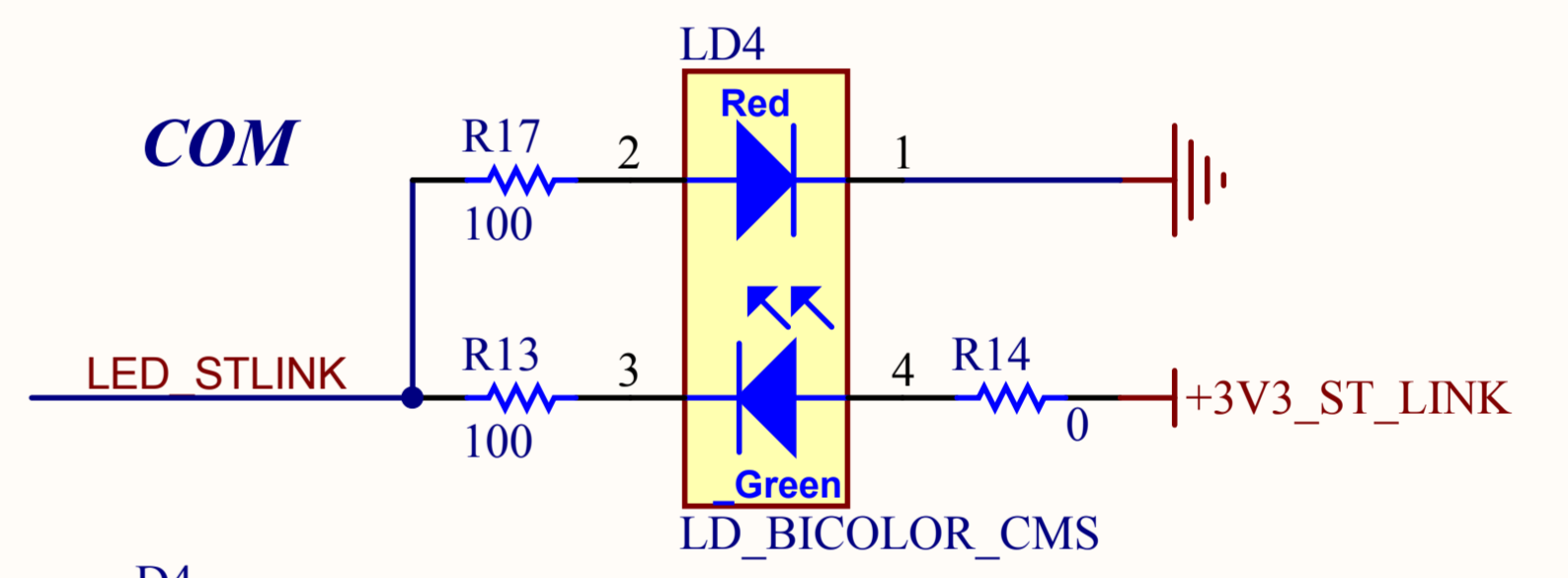
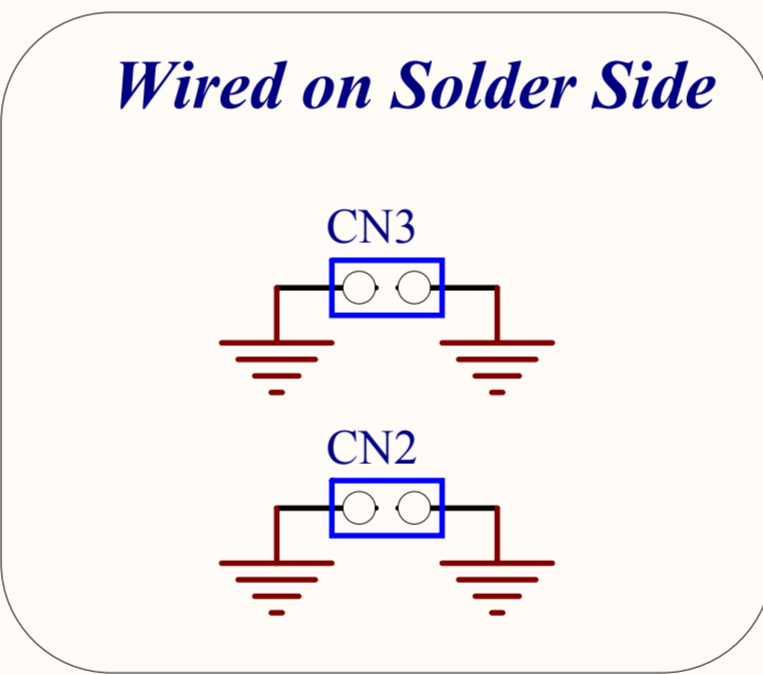
- Note1: Text in italic placed on a wire does not correspond to net name. It just helps to identify rapidly Arduino's signal related to this wire.
2. Add C58 4.7uF ceramic capacitor on VDD from A-01 to B-01
  3. R33's value changed to 200Kohm from A-01 to B-01
  4. Add pull-up & pull-down resistors on PB2 for BOOT1 (F4 series) from A-01 to B-01
  5. All peripherals' power changed to +3V3\_PER from A-01 to B-01
  6. C35 & C36's value changed to 2.7pF from A-01 to B-01
  7. Add R76 1.5K pull-up circuit to USB\_DP for F303ZE only from A-01 to B-01
  8. LD1 can be controlled by PB0 from A-01 to B-01
  9. D11 on CN7 can be set to PB5 from A-01 to B-01



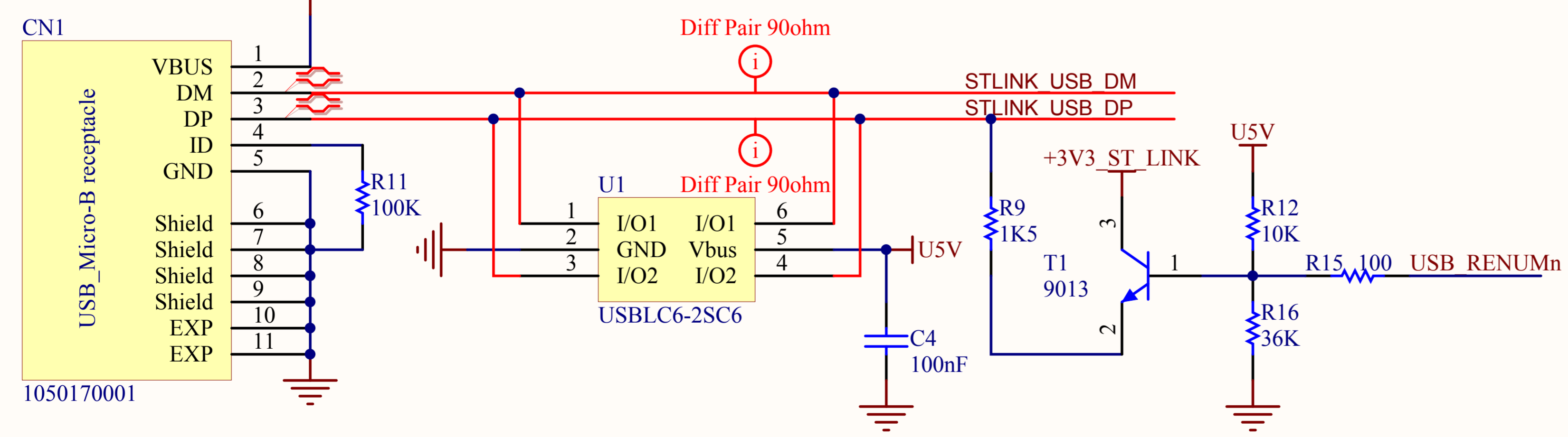
- PA[0..15] PA[0..15]
- PB[0..15] PB[0..15]
- PC[0..15] PC[0..15]
- PD[0..15] PD[0..15]
- PE[0..15] PE[0..15]
- PF[0..15] PF[0..15]
- PG[0..15] PG[0..15]
- PH[0..2] PH[0..2]

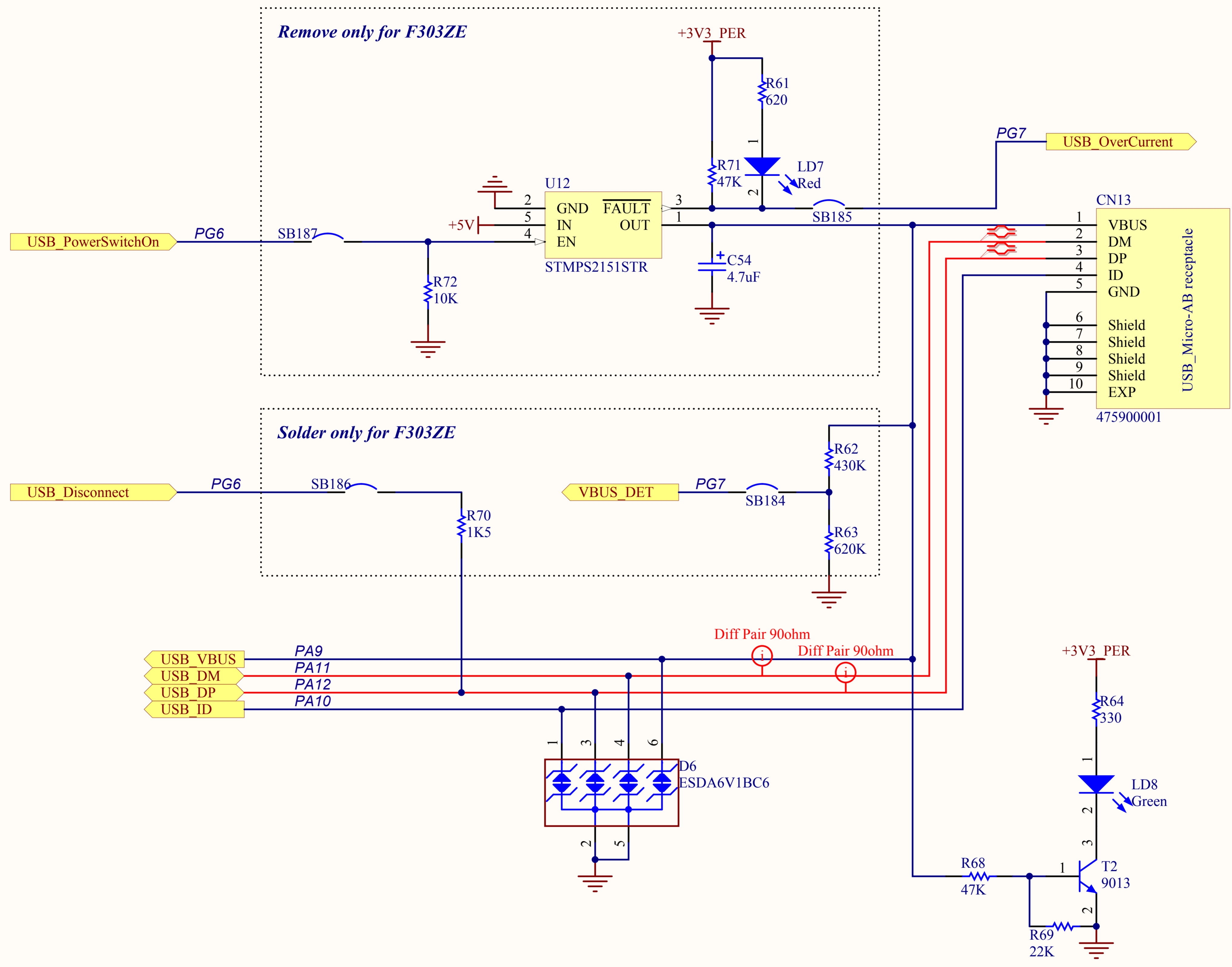


Jumpers ON --> NUCLEO Selected  
 Jumpers OFF --> ST-LINK Selected



**USB ST-LINK**





Title: <b>USB</b>	
Project: <b>NUCLEO-XXXXZX</b>	
Size: A4	Reference: MB1137
Date: 8/24/2015	Revision: B-01
Sheet: 4 of 6	



